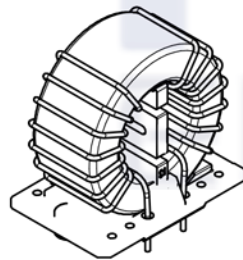
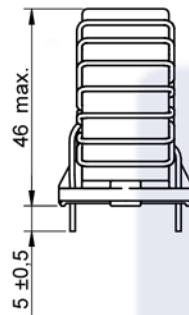
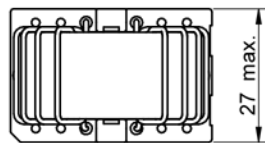
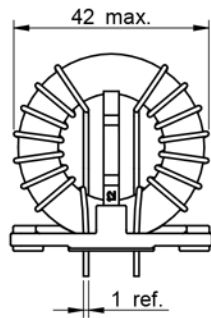
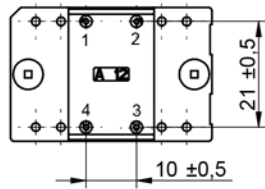
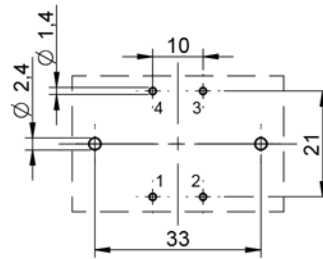


**Dimensions: [mm]**



Scale - 1:1,5

**Recommended Hole Pattern: [mm]**



Scale - 1:1,5

**Schematic:**



**Electrical Properties:**

| Properties              | Test conditions     |                 | Value | Unit   | Tol.      |
|-------------------------|---------------------|-----------------|-------|--------|-----------|
| Inductance              | 10 kHz/ 0.1 mA      | L               | 2x20  | mH     | +50%/-30% |
| Rated Current           | @ 70 °C             | I <sub>R</sub>  | 6     | A      | max.      |
| DC Resistance           | @ 20 °C             | R <sub>DC</sub> | 2x45  | mΩ     | max.      |
| Rated Voltage           | 50 Hz               | U <sub>R</sub>  | 250   | V (AC) | max.      |
| Insulation Test Voltage | 50 Hz/ 5 mA/ 2 sec. | U <sub>T</sub>  | 1500  | V (AC) |           |

**General Properties:**

|  |                      |
|--|----------------------|
| It is recommended that the temperature of the component does not exceed +125°C under worst case conditions                                     |                      |
| Storage Temperature (in original packaging)  | -20 °C up to +60 °C  |
| Operating Temperature  | -40 °C up to +125 °C |
| Temperature Rise < 55K   |                      |
| Test conditions of Electrical Properties: +20°C, 33% RH if not specified differently   |                      |
| Due to heavy weight, we recommend to fix the component on PCB with 2 self tapping screws: 2.2*x<br>x= screw length, depends from PCB thickness |                      |

Shaanxi FKS Electronic Parts Import&Export Co.,Ltd.  
 FKS(Xi'an) Electronic Technology Co.,Ltd.  
 Address: B1 Building,Western Cloud Valley,Fengxi New Town,  
 Xixian New Area,Xi'an City, Shaanxi Province,China.  
 Tel: +86-29-8868 5333  
 Fax: +86-29-8868 0913

**FKS**  
Electronics



GENERAL TOLERANCE  
DIN ISO 2768-1m

PROJECTION METHOD



DESCRIPTION  
**Common Mode Power  
Line Choke Nanocrystalline**

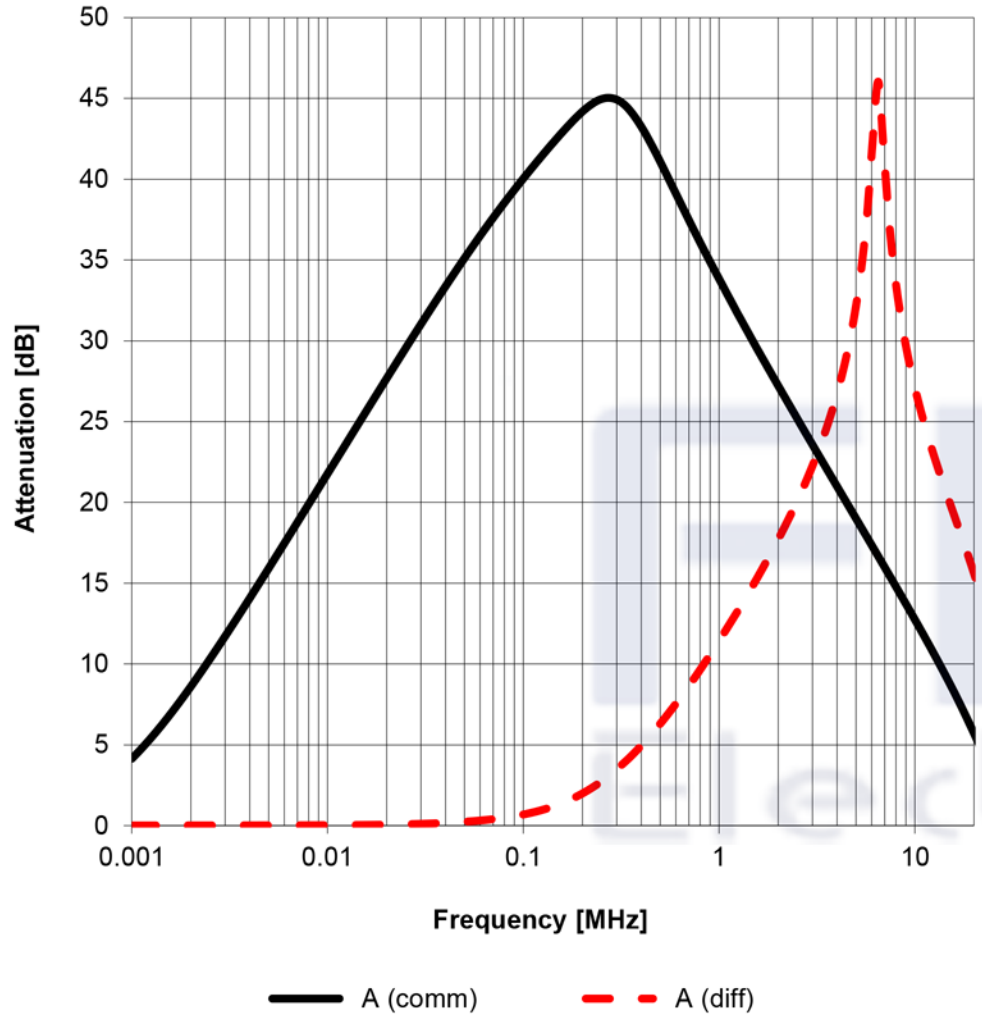
ORDER CODE  
FKS7448060620

SIZE  
XXL

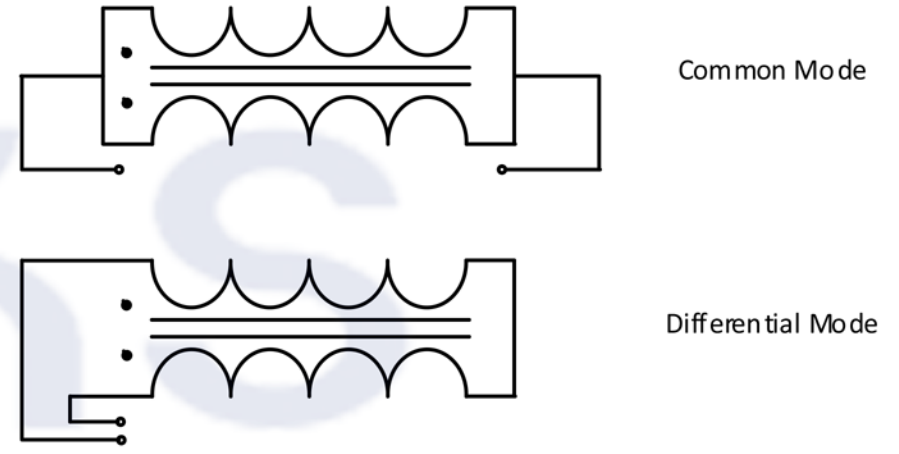
REVISION  
001.003

STATUS  
Valid

**Typical Insertion Loss:**



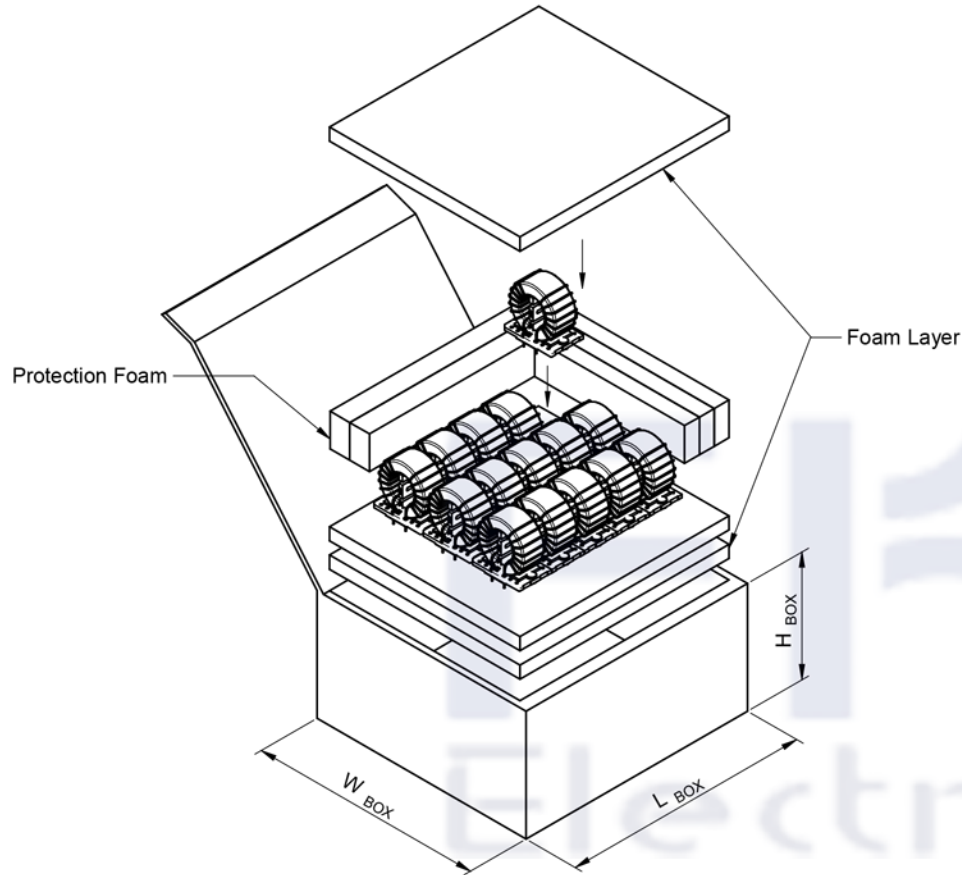
**Test Setup:**



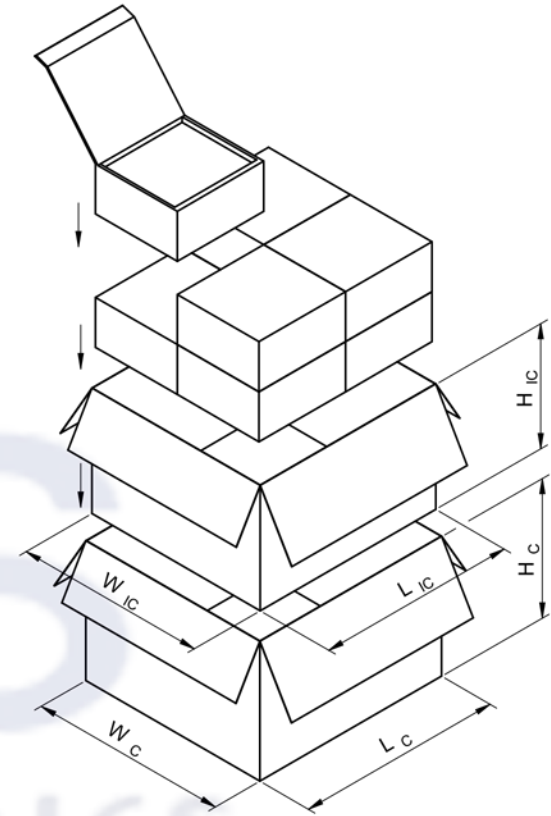
|   |                     |                                      |                       |
|---|---------------------|--------------------------------------|-----------------------|
| Shaanxi FKS Electronic Parts Import&Export Co.,Ltd.<br>FKS(Xi'an) Electronic Technology Co.,Ltd.<br>Address: B1 Building,Western Cloud Valley,Fengxi New Town,<br>Xixian New Area,Xi'an City, Shaanxi Province,China.<br>Tel: +86-29-8868 5333<br>Fax: +86-29-8868 0913 |                     | GENERAL TOLERANCE<br>DIN ISO 2768-1m | PROJECTION METHOD<br> |
| DESCRIPTION<br><b>Common Mode Power Line Choke Nanocrystalline</b>  |                     | ORDER CODE<br>FKS7448060620          |                       |
| SIZE<br>XXL   | REVISION<br>001.003 | STATUS<br>Valid                      |                       |



# Packaging Specification - Carton: [mm]



| L_BOX (mm) | W_BOX (mm) | H_BOX (mm) | No. of Protection Foam | No. of Layer | Packaging Unit | Material |
|------------|------------|------------|------------------------|--------------|----------------|----------|
| typ.       | typ.       | typ.       | pcs.                   | pcs.         | pcs.           |          |
| 180,00     | 170,00     | 90,00      | 5                      | 3            | 15             | Paper    |



| L_IC (mm) | W_IC (mm) | H_IC (mm) | L_C (mm) | W_C (mm) | H_C (mm) | No. of box | No. of inner Carton | Packaging Unit | Material |
|-----------|-----------|-----------|----------|----------|----------|------------|---------------------|----------------|----------|
| typ.      | typ.      | typ.      | typ.     | typ.     | typ.     | pcs.       | pcs.                | pcs.           |          |
| 356,00    | 350,00    | 226,00    | 378,00   | 362,00   | 252,00   | 8          | 1                   | 120            | Paper    |

Shaanxi FKS Electronic Parts Import&Export Co.,Ltd.  
 FKS(Xi'an) Electronic Technology Co.,Ltd.  
 Address: B1 Building,Western Cloud Valley,Fengxi New Town,  
 Xixian New Area,Xi'an City, Shaanxi Province,China.  
 Tel: +86-29-8868 5333  
 Fax: +86-29-8868 0913

**FKS**  
 Electronics



GENERAL TOLERANCE  
 DIN ISO 2768-1m

PROJECTION METHOD



DESCRIPTION  
**Common Mode Power  
 Line Choke Nanocrystalline**

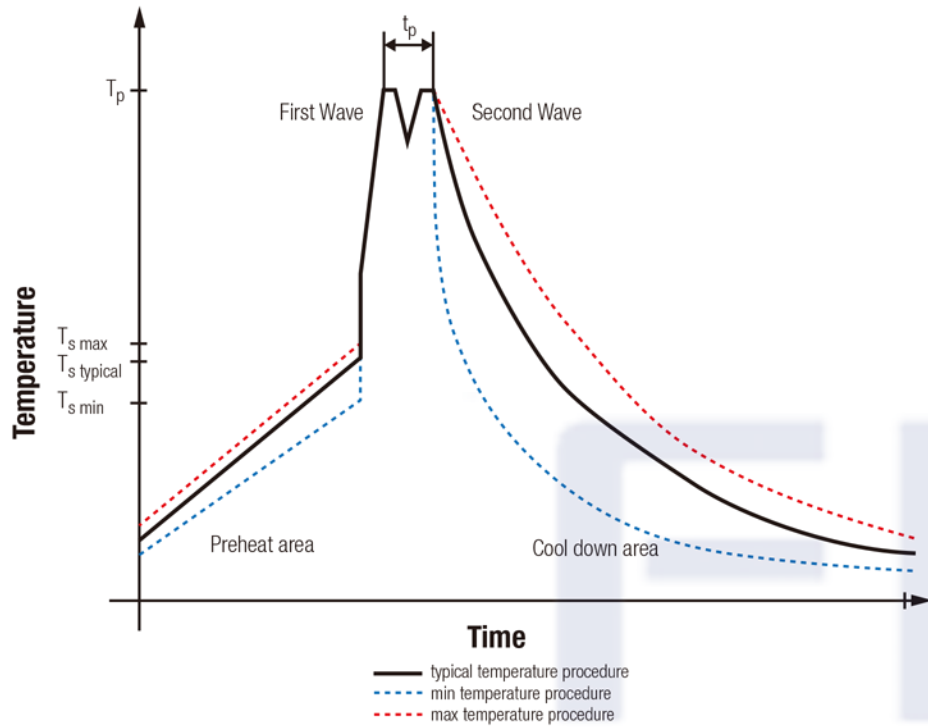
ORDER CODE  
 FKS7448060620

SIZE  
 XXL

REVISION  
 001.003

STATUS  
 Valid

### Classification Wave Soldering Profile:



### Classification Wave Soldering Profile:

| Profile Feature  |                         | Pb-Free Assembly                            | Sn-Pb Assembly                              |
|--|-------------------------|---|---|
| Preheat Temperature Min  | $T_{s \text{ min}}$     | 100 °C                                      | 100 °C                                      |
| Preheat Temperature Typical  | $T_{s \text{ typical}}$ | 120 °C                                      | 120 °C                                      |
| Preheat Temperature Max  | $T_{s \text{ max}}$     | 130 °C                                      | 130 °C                                      |
| Preheat Time $t_s$ from $T_{s \text{ min}}$ to $T_{s \text{ max}}$ | $t_s$                   | 70 seconds                                  | 70 seconds                                  |
| Ramp-up Rate   | $\Delta T$              | 150 °C max.                                 | 150 °C max.                                 |
| Peak temperature   | $T_p$                   | 250 °C - 260 °C                             | 235 °C - 260 °C                             |
| Time of actual peak temperature                                    | $t_p$                   | max. 10 seconds<br>max. 5 seconds each wave | max. 10 seconds<br>max. 5 seconds each wave |
| Ramp-down Rate, Min  |                         | ~ 2 K/ second                               | ~ 2 K/ second                               |
| Ramp-down Rate, Typical  |                         | ~ 3.5 K/ second                             | ~ 3.5 K/ second                             |
| Ramp-down Rate, Max  |                         | ~ 5 K/ second                               | ~ 5 K/ second                               |
| Time 25°C to 25°C  |                         | 4 minutes                                   | 4 minutes                                   |

refer to EN61760-1:2006

Shaanxi FKS Electronic Parts Import&Export Co.,Ltd.  
 FKS(Xi'an) Electronic Technology Co.,Ltd.  
 Address: B1 Building,Western Cloud Valley,Fengxi New Town,  
 Xixian New Area,Xi'an City, Shaanxi Province,China.  
 Tel: +86-29-8868 5333  
 Fax: +86-29-8868 0913

**FKS**  
Electronics



GENERAL TOLERANCE  
DIN ISO 2768-1m

PROJECTION  
METHOD



DESCRIPTION  
**Common Mode Power  
Line Choke Nanocrystalline**

ORDER CODE

FKS7448060620

SIZE  
XXL

REVISION  
001.003

STATUS  
Valid