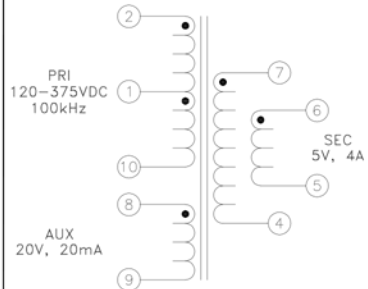
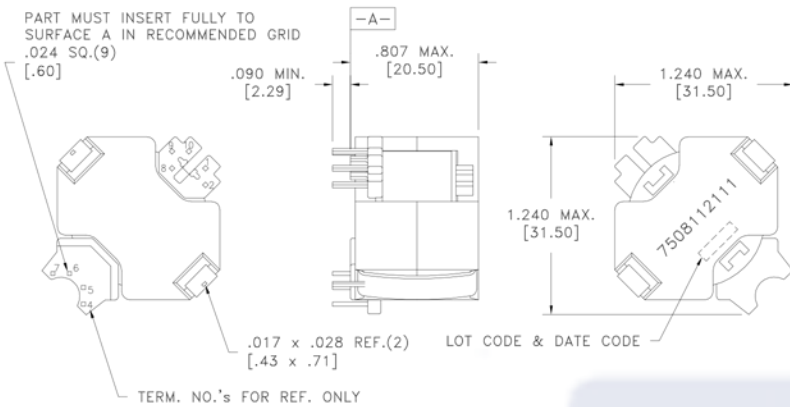


CUSTOMER TERMINAL	RoHS	LEAD(Pb)-FREE
Sn96%, Ag4%	Yes	Yes

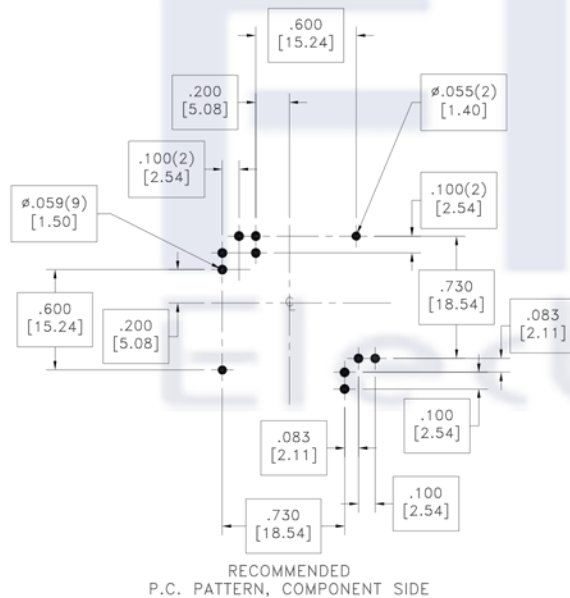


PART MUST INSERT FULLY TO SURFACE A IN RECOMMENDED GRID
.024 SQ.(9)
[.60]



Customer to tie terminals 4+5 and 6+7 on PC board.

Application of the transformer allows for the leadwires between terminals 4&5 and 6&7 to solder bridge.



ELECTRICAL SPECIFICATIONS @ 25°C unless otherwise noted:

PARAMETER	TEST CONDITIONS	VALUE
D.C. RESISTANCE	2-10 @20°C	1.15 ohms ±10%
D.C. RESISTANCE	8-9 @20°C	0.285 ohms ±10%
D.C. RESISTANCE	7-4 tie(4+5, 6+7), @20°C	0.015 ohms max.
INDUCTANCE	2-10 1kHz, 100mVAC, Ls	600.00uH ±10%
SATURATION CURRENT	2-10 20% rolloff from initial	3.75A
LEAKAGE INDUCTANCE	2-10 tie(4+5+6+7, 8+9), 100kHz, 100mVAC, Ls	16uH typ., 25uH max.
DIELECTRIC	2-7 tie(4+5, 9+10), 3900VAC, 1 second	3900VAC, 1 minute
DIELECTRIC	2-9 625VAC, 1 second	500VAC, 1 minute
URNS RATIO	(2-10):(7-4), tie(4+5, 6+7)	18:1, ±1%
URNS RATIO	(8-9):(7-4), tie(4+5, 6+7)	4:1, ±1%

GENERAL SPECIFICATIONS:

OPERATING TEMPERATURE RANGE: -40°C to +125°C including temp rise.

Designed to comply with the following requirements as defined by IEC61558-2-16 and EN61558-2-16 Amendment 1:
- Reinforced insulation for a primary circuit at a working voltage of 265Vrms, 400Vpeak (operating frequency of <1MHz).

Wire insulation & RoHS status not affected by wire color.
Wire insulation color may vary depending on availability.

REV.	DATE	Packaging Specifications Method: Tray PKG-1175		Tolerances unless otherwise specified: Angles: ±1° Fractions: ±1/64 Decimals: ±.005 [.13] Footprint: ±.001 [.03]	DRAWING TITLE TRANSFORMER	PART NO. FKS7508112111
6A	7/18			This drawing is dual dimensioned. Dimensions in brackets are in millimeters.	eiSos p/n: FKS7508112111	SPECIFICATION SHEET 1 OF 1

