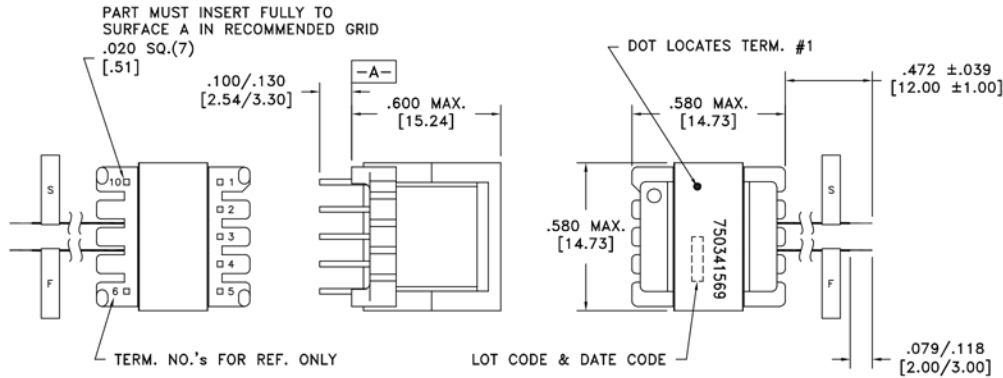
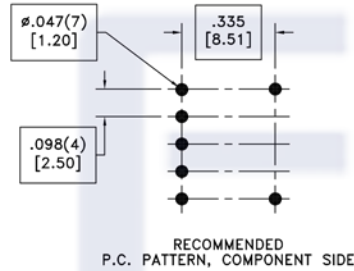
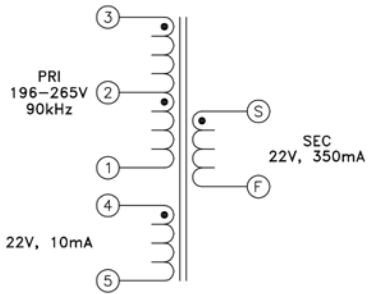


CUSTOMER TERMINAL	RoHS	LEAD(Pb)-FREE
Sn96%, Ag4%	Yes	Yes



ELECTRICAL SPECIFICATIONS @ 25°C unless otherwise noted:

PARAMETER	TEST CONDITIONS	VALUE
D.C. RESISTANCE	1-3 @20°C	6.100 ohms max.
D.C. RESISTANCE	4-5 @20°C	0.980 ohms max.
D.C. RESISTANCE	S-F @20°C	0.150 ohms max.
INDUCTANCE	1-3 10kHz, 100mVAC, Ls	3.220mH ±10%
LEAKAGE INDUCTANCE	1-3 tie(4+5+S+F), 10kHz, 100mVAC, Ls	50.0uH max.
DIELECTRIC	1-S tie(3+4), 4500VAC, 1 second	-
DIELECTRIC	1-4 625VAC, 1 second	-
TURNS RATIO	(1-3):(4-5)	7.83:1, ±1%
TURNS RATIO	(1-3):(S-F)	7.83:1, ±1%



GENERAL SPECIFICATIONS:

OPERATING TEMPERATURE RANGE: -40°C to +125°C including temp rise.

Designed to comply with the following requirements as defined by IEC61558-2-16:
 - Reinforced insulation for a primary circuit at a working voltage of 400VDC.

Wire insulation & RoHS status not affected by wire color.
 Wire insulation color may vary depending on availability.

REV.	DATE	Packaging Specifications Method: Tray PKG-0101		Tolerances unless otherwise specified: Angles: ±1° Fractions: ±1/64 Decimals: ±.005 [.13] Footprint: ±.001 [.03]	DRAWING TITLE TRANSFORMER	PART NO. FKS750341569
6A	2/13			This drawing is dual dimensioned. Dimensions in brackets are in millimeters.	eiSos p/n: FKS750341569	SPECIFICATION SHEET 1 OF 1