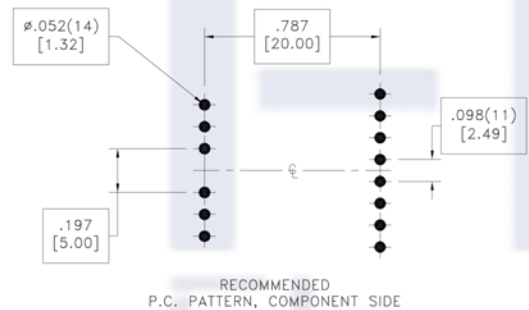
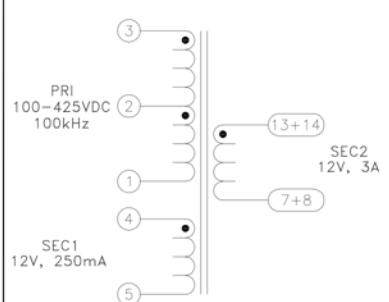
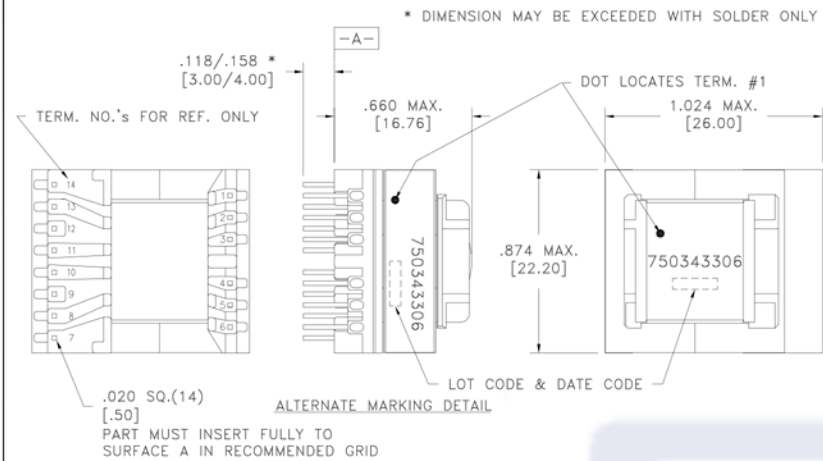


CUSTOMER TERMINAL	RoHS	LEAD(Pb)-FREE
Sn96%, Ag4%	Yes	Yes



Customer to tie terminals 7+8 and 13+14 on PC board.

Application of the transformer allows for the leadwires between terminals 7&8 and 13&14 to solder bridge.

Wire insulation & RoHS status not affected by wire color.  
Wire insulation color may vary depending on availability.

ELECTRICAL SPECIFICATIONS @ 25°C unless otherwise noted:

PARAMETER	TEST CONDITIONS	VALUE
D.C. RESISTANCE	3-1 @20°C	0.336 ohms max.
D.C. RESISTANCE	4-5 @20°C	0.188 ohms max.
D.C. RESISTANCE	14-8 tie(7+8, 13+14), @20°C	0.012 ohms max.
INDUCTANCE	3-1 10kHz, 100mVAC, Ls	360.0uH ±10%
SATURATION CURRENT	3-1 20% rolloff from initial	1.55A
LEAKAGE INDUCTANCE	3-1 tie(4 thru 14), 100kHz, 100mVAC, Ls	5uH typ., 8uH max.
DIELECTRIC	1-14 tie(3+4, 7+8), 3750VAC, 1 second	-
DIELECTRIC	14-Core tie(7+8), 3750VAC, 1 second	-
URNS RATIO	(3-1):(4-5)	9.5:1, ±2%
URNS RATIO	(3-1):(14-7), tie(7+8, 13+14)	9.5:1, ±2%

GENERAL SPECIFICATIONS:

OPERATING TEMPERATURE RANGE: -40°C to +125°C including temp rise.

Designed to comply with the following requirements as defined by IEC60950-1, EN60950-1, UL60950-1/CSA60950-1 and AS/NZS60950.1:  
- Reinforced insulation for a primary circuit at a working voltage of 300Vrms, 425Vpeak, Overvoltage Category II.

REV.	DATE	Packaging Specifications Method: Tray PKG-0736		Tolerances unless otherwise specified: Angles: ±1° Fractions: ±1/64 Decimals: ±.005 [.13] Footprint: ±.001 [.03]	DRAWING TITLE <b>TRANSFORMER</b>	PART NO. FKS750343306
6A	9/17		CONVENTION PLACEMENT	This drawing is dual dimensioned. Dimensions in brackets are in millimeters.	eiSos p/n: FKS750343306	compliant RoHS SPECIFICATION SHEET 1 OF 1