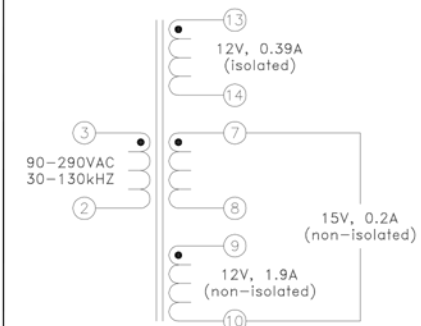
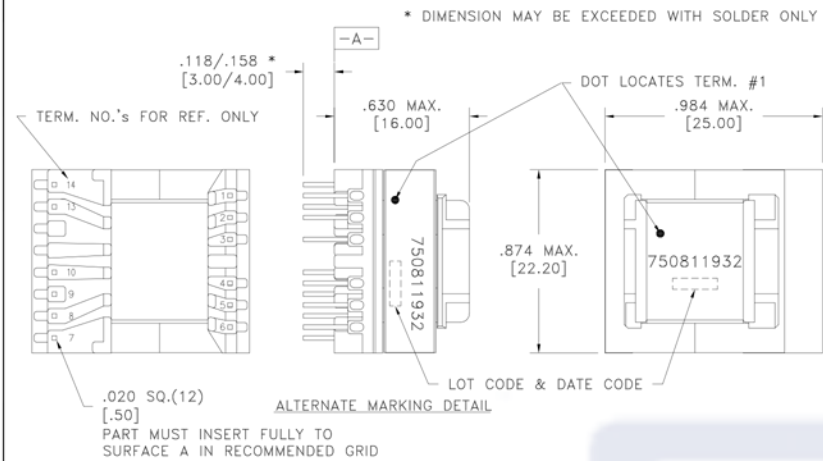
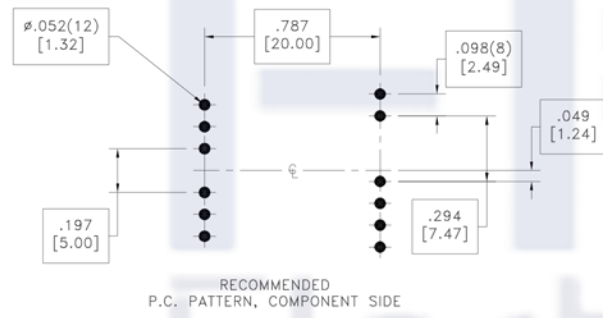


CUSTOMER TERMINAL	RoHS	LEAD(Pb)-FREE
Sn96%, Ag4%	Yes	Yes



Customer to tie terminals 8&9 for correct operation.



ELECTRICAL SPECIFICATIONS @ 25°C unless otherwise noted:

PARAMETER	TEST CONDITIONS	VALUE
D.C. RESISTANCE	3-2 @20°C	0.220 ohms ±10%
D.C. RESISTANCE	13-14 @20°C	0.060 ohms ±20%
D.C. RESISTANCE	7-8 @20°C	0.020 ohms max.
D.C. RESISTANCE	9-10 @20°C	0.030 ohms max.
INDUCTANCE	3-2 100kHz, 100mVAC, Ls	220uH ±10%
LEAKAGE INDUCTANCE	3-2 tie(13+14, 7+8+9+10), 100kHz, 100mVAC, Ls	4.5uH typ., 6uH max.
DIELECTRIC	3-13 4000VAC, 1 second	3000VAC, 1 minute
DIELECTRIC	3-7 tie(8+9), 625VAC, 1 second	500VAC, 1 minute
DIELECTRIC	13-7 1250VAC, 1 second	1000VAC, 1 minute
URNS RATIO	(3-2):(13-14)	5.2:1, ±1%
URNS RATIO	(3-2):(7-8)	26:1, ±1%
URNS RATIO	(3-2):(9-10)	6.5:1, ±1%

GENERAL SPECIFICATIONS:

OPERATING TEMPERATURE RANGE: -40°C to +125°C including temp rise.

Designed to comply with the following requirements as defined by IEC60950-1, EN60950-1, UL60950-1/CSA60950-1 and AS/NZS60950.1:

- Reinforced insulation for a primary circuit at a working voltage of 400VDC.

Wire insulation & RoHS status not affected by wire color.
Wire insulation color may vary depending on availability.

REV.	DATE	Packaging Specifications Method: Tray PKG-0736		Tolerances unless otherwise specified: Angles: ±1° Fractions: ±1/64 Decimals: ±.005 [.13] Footprint: ±.001 [.03]	DRAWING TITLE TRANSFORMER	PART NO. FKS750811932
6A	9/15		CONVENTION PLACEMENT	This drawing is dual dimensioned. Dimensions in brackets are in millimeters.	eiSos p/n: FKS750811932	compliant RoHS SPECIFICATION SHEET 1 OF 1