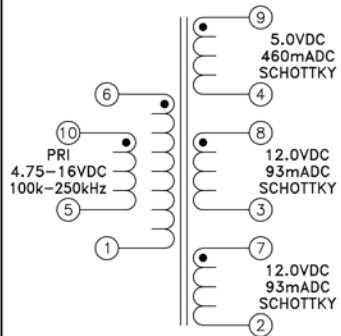
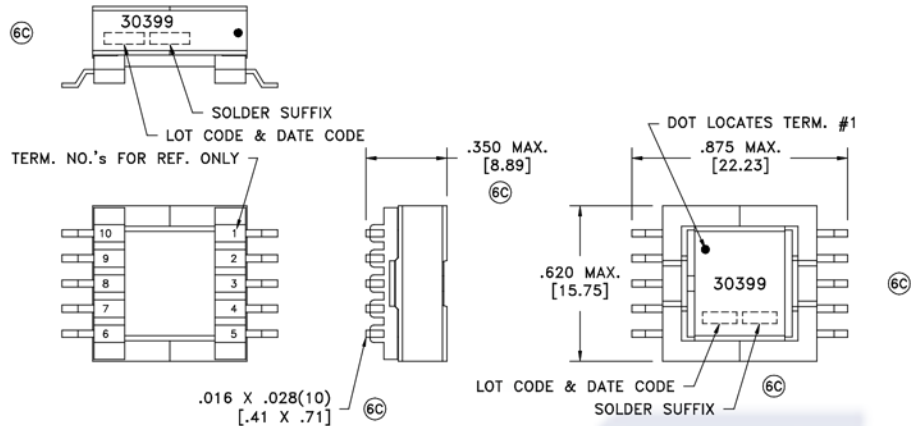


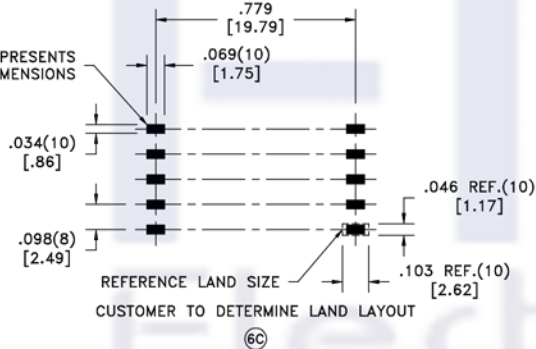
CUSTOMER TERMINAL	RoHS	LEAD(Pb)-FREE	6C
Sn96%, Ag4%	Yes	Yes	



ALTERNATE MARKING DETAIL



AREA REPRESENTS  
TERMINAL PAD DIMENSIONS



ELECTRICAL SPECIFICATIONS @ 25°C unless otherwise noted:

- D.C. RESISTANCE (@20°C): 6-1, 0.082 ohms max.  
9-4, 0.096 ohms max.  
8-3, 1.210 ohms max.  
7-2, 1.276 ohms max.  
10-5, 0.107 ohms max.
- DIELECTRIC RATING: 500VAC, 1 minute tested by applying 625VAC for 1 second between PRI-SEC.
- INDUCTANCE: 10.65uH ±5%, 10kHz, 100mVAC, 6-1, Ls.
- LEAKAGE INDUCTANCE: 260nH typ., 100kHz, 100mVAC, 6-1(tie 9+4, 8+3, 7+2, 10+6, 1+5), Ls.
- 6C TURNS RATIO: (9-4):(6-1) = 1.1:1, ±1%.  
(8-3):(6-1) = 2.5:1, ±1%.  
(7-2):(6-1) = 2.5:1, ±1%.  
(6-1):(10-5) = 1:1, ±1%.
- 6C OPERATING TEMPERATURE RANGE: -40°C to +125°C including temp rise.

TRANSFORMER INFORMATION:

- Pout max.: 4.55W  
Pout min.: 2.45W  
Estimated Temp. Rise @ Pout max.: 35.0°C  
Estimated Efficiency: 71.3%  
Estimated Maximum Duty Cycle: 54.7%

SWITCH SELECTION INFORMATION

- Input Voltage Range: 4.75 - 16V  
Peak Current: 3.85A  
Vsw @ Rated Output Voltages: 21 + (Vmax - 16)  
Operating Frequency: 100k - 250kHz

Transformer will operate in Discontinuous Mode below Minimum Specified Output Voltage of Pout Min.  
Pout min. varies with frequency of switcher (from 100 to 250kHz) Pout Min = 245.0/(Frequency in kHz) Watts.

6C DETAILS SUBJECT TO CHANGE

REV.	DATE	Packaging Specifications Method: Tape & Reel PKG-0222		Tolerances unless otherwise specified: Angles: ±1°      Decimals: ±.005 [.13] Fractions: ±1/64      Footprint: ±.005 [.13]	DRAWING TITLE <b>TRANSFORMER</b>	PART NO. FKS30399R-LF1	6C
6C	3/11						
6B	6/98						
6A	8/97						
				This drawing is dual dimensioned. Dimensions in brackets are in millimeters.	eiSos p/n: FKS750030399		SPECIFICATION SHEET 1 OF 1