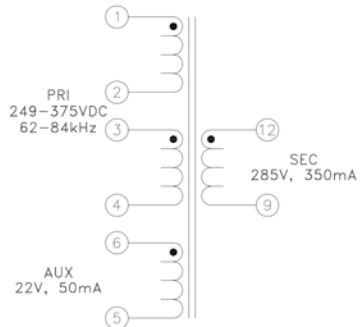
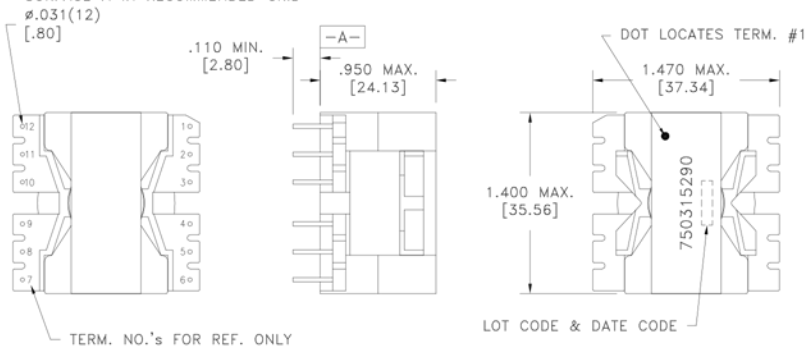


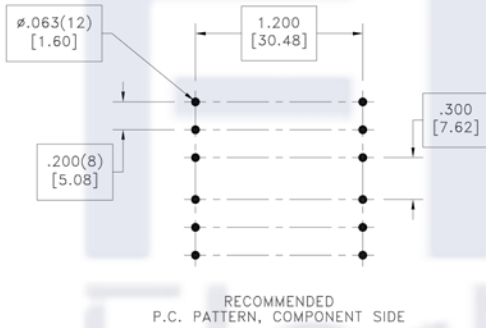
CUSTOMER TERMINAL	RoHS	LEAD(Pb)-FREE
Sn96%, Ag4%	Yes	Yes



PART MUST INSERT FULLY TO SURFACE A IN RECOMMENDED GRID



Customer to tie terminals 2&3 on PC board.



ELECTRICAL SPECIFICATIONS @ 25°C unless otherwise noted:

PARAMETER	TEST CONDITIONS	VALUE
D.C. RESISTANCE	1-4 tie(2+3), @20°C	0.415 ohms ±10%
D.C. RESISTANCE	6-5 @20°C	0.179 ohms ±10%
D.C. RESISTANCE	12-9 @20°C	0.765 ohms ±10%
INDUCTANCE	1-4 tie(2+3), 10kHz, 100mVAC, Ls	400uH ±10%
SATURATION CURRENT	1-4 tie(2+3), 20% rolloff from initial	6.8A
LEAKAGE INDUCTANCE	1-4 tie(2+3, 5+6, 9+12), 100kHz, 100mVAC, Ls	6.0uH typ., 12.0uH max.
DIELECTRIC	1-12 tie(2+3+5), 1875VAC, 1 second	1500VAC, 1 minute
DIELECTRIC	4-5 tie(2+3), 625VAC, 1 second	-
TURNS RATIO	(3-4):(1-2)	1:1, ±1%
TURNS RATIO	(1-4):(6-5), tie(2+3)	7.33:1, ±1%
TURNS RATIO	(12-9):(1-4), tie(2+3)	1.89:1, ±1%

GENERAL SPECIFICATIONS:

OPERATING TEMPERATURE RANGE: -40°C to +125°C including temp rise.

Designed to comply with the following requirements as defined by IEC60950-1, EN60950-1, UL60950-1/CSA60950-1 and AS/NZS60950.1:

- Functional insulation for a primary circuit at a working voltage of 265Vrms, 400Vpeak, Overvoltage Category II.

Wire insulation & RoHS status not affected by wire color.
 Wire insulation color may vary depending on availability.

REV.	DATE	Packaging Specifications Method: Tray PKG-0253		Tolerances unless otherwise specified: Angles: ±1° Fractions: ±1/64 Decimals: ±.005 [.13] Footprint: ±.001 [.03]	DRAWING TITLE TRANSFORMER	PART NO. FKS750315290
6A	1/16		CONVENTION PLACEMENT	This drawing is dual dimensioned. Dimensions in brackets are in millimeters.	eiSos p/n: FKS750315290	compliant RoHS SPECIFICATION SHEET 1 OF 1