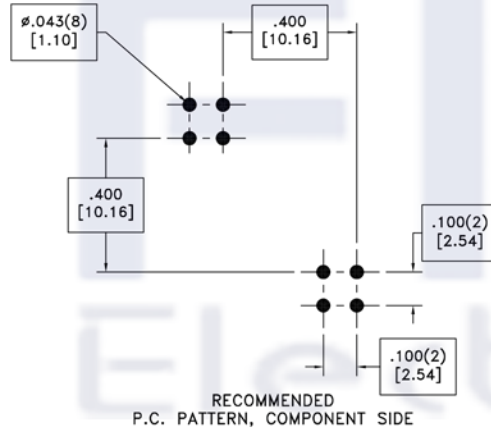
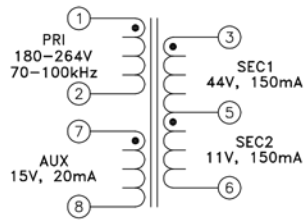
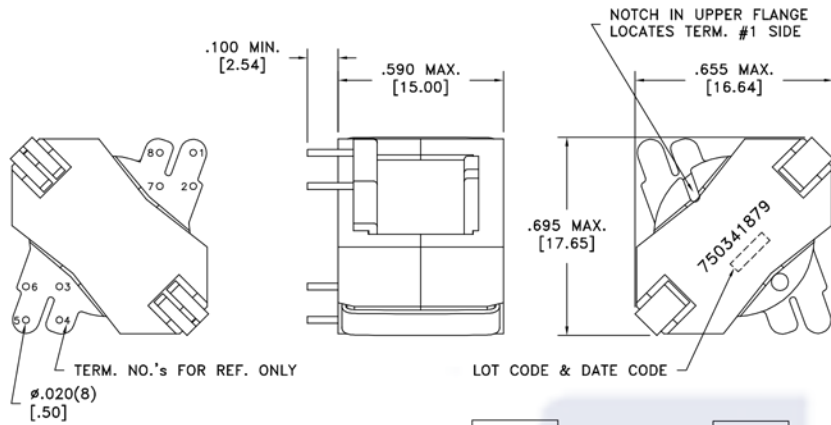


CUSTOMER TERMINAL	RoHS	LEAD(Pb)-FREE
Sn96%, Ag4%	Yes	Yes



ELECTRICAL SPECIFICATIONS @ 25°C unless otherwise noted:

PARAMETER	TEST CONDITIONS	VALUE
D.C. RESISTANCE	2-1 @20°C	0.839 ohms ±10%
D.C. RESISTANCE	7-8 @20°C	0.164 ohms ±10%
D.C. RESISTANCE	3-5 @20°C	0.387 ohms ±10%
D.C. RESISTANCE	5-6 @20°C	0.128 ohms ±10%
INDUCTANCE	2-1 50kHz, 100mVAC, Ls	1.0mH ±10%
LEAKAGE INDUCTANCE	2-1 tie(3+5+6+7+8), 1.0kHz, 100mVAC, Ls	90.0uH max.
DIELECTRIC	1-3 tie(2+7), 800VAC, 1 second	-
URNS RATIO	(2-1):(7-8)	6.73:1, ±2%
URNS RATIO	(2-1):(3-5)	2.56:1, ±2%
URNS RATIO	(2-1):(5-6)	9.25:1, ±2%

GENERAL SPECIFICATIONS:

OPERATING TEMPERATURE RANGE: -40°C to +125°C including temp rise.

Wire insulation & RoHS status not affected by wire color.
Wire insulation color may vary depending on availability.

DETAILS SUBJECT TO CHANGE

REV.	DATE	Packaging Specifications Method: Tray PKG-0101		Tolerances unless otherwise specified: Angles: ±1° Fractions: ±1/64 Decimals: ±.005 [.13] Footprint: ±.001 [.03]	DRAWING TITLE TRANSFORMER	PART NO. FKS750341879
6A	6/14			This drawing is dual dimensioned. Dimensions in brackets are in millimeters.	eiSos p/n: FKS750341879	SPECIFICATION SHEET 1 OF 1