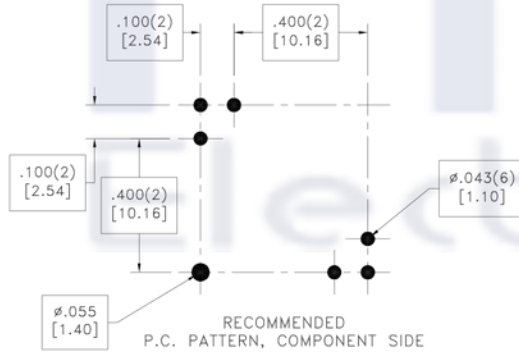
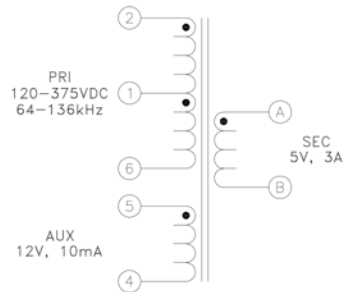
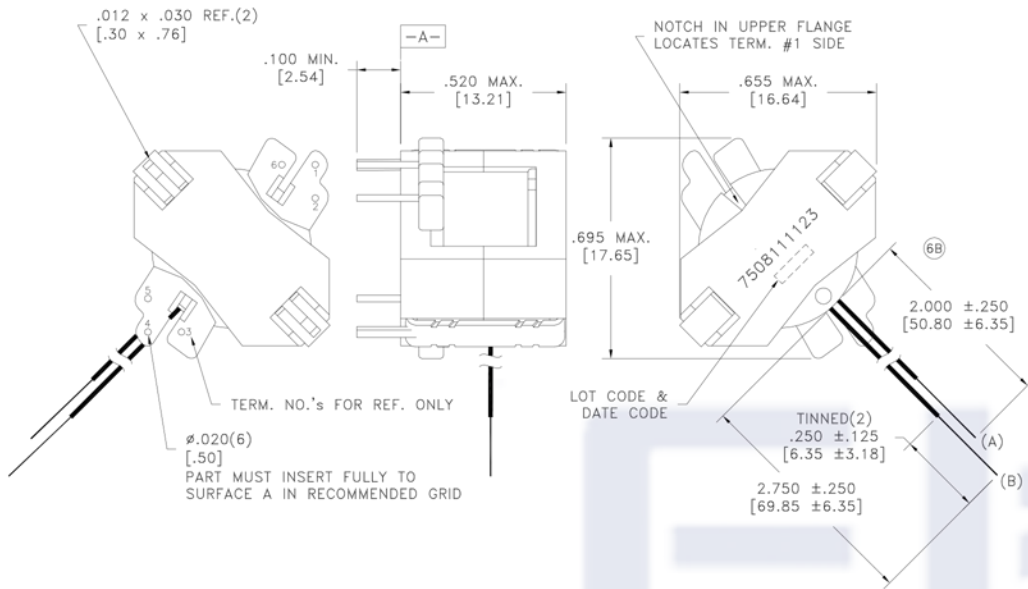


CUSTOMER TERMINAL	RoHS	LEAD(Pb)-FREE
Sn96%, Ag4%	Yes	Yes



ELECTRICAL SPECIFICATIONS @ 25°C unless otherwise noted:

PARAMETER	TEST CONDITIONS	VALUE
D.C. RESISTANCE	2-6 @20°C	1.20 ohms ±10%
D.C. RESISTANCE	4-5 @20°C	1.20 ohms ±10%
D.C. RESISTANCE	A-B @20°C	0.020 ohms max.
INDUCTANCE	2-6 10kHz, 100mVAC, Ls	900uH ±10%
SATURATION CURRENT	2-6 20% rolloff from initial	950mA
LEAKAGE INDUCTANCE	2-6 tie(4+5, A+B), 100kHz, 100mVAC, Ls	20uH typ., 40uH max.
DIELECTRIC	1-A tie(5+6), 4000VAC, 1 second	3000VAC, 1 minute
DIELECTRIC	1-5 625VAC, 1 second	-
TURNS RATIO	(2-1):(1-6)	1:1, ±1%
TURNS RATIO	(2-6):(5-4)	6.55:1, ±1%
TURNS RATIO	(2-6):(A-B)	14.4:1, ±1%

GENERAL SPECIFICATIONS:

OPERATING TEMPERATURE RANGE: -40°C to +125°C including temp rise.

Designed to comply with the following requirements as defined by IEC60950-1, EN60950-1, UL60950-1/CSA60950-1 and AS/NZS60950.1:

- Reinforced insulation for a primary circuit at a working voltage of 265Vrms, 400Vpeak, Overvoltage Category II.

Wire insulation & RoHS status not affected by wire color.
Wire insulation color may vary depending on availability.

REV.	DATE	Method: Tray PKG-0936		Tolerances unless otherwise specified: Angles: ±1° Fractions: ±1/64	DRAWING TITLE TRANSFORMER	PART NO. FKS7508111123
6B	7/16			This drawing is dual dimensioned. Dimensions in brackets are in millimeters.		
6A	1/16				eiSos p/n: FKS7508111123	SPECIFICATION SHEET 1 OF 1