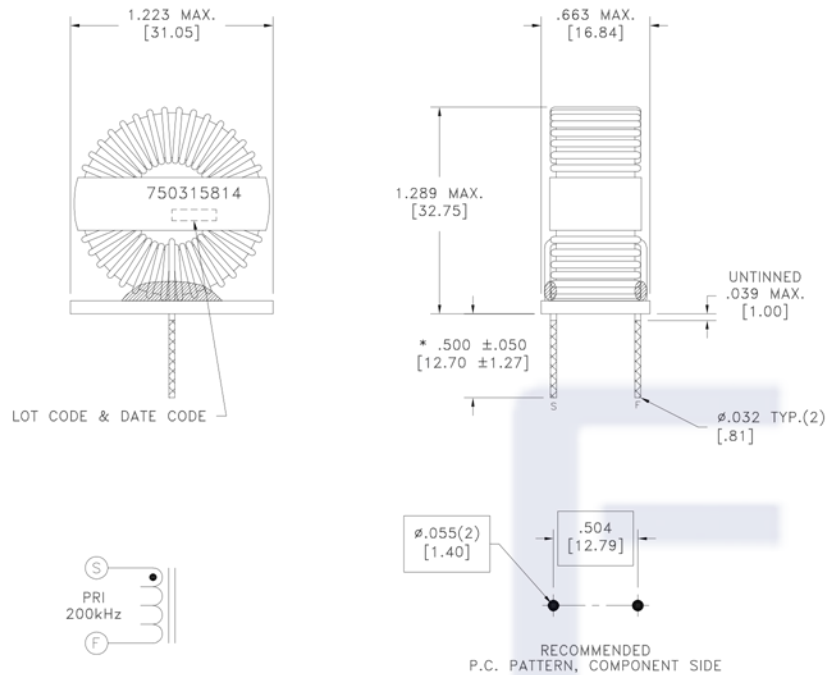


CUSTOMER TERMINAL	RoHS	LEAD(Pb)-FREE
Sn96%, Ag4%	Yes	Yes



* DIMENSION MAY BE EXCEEDED WITH SOLDER ONLY



ELECTRICAL SPECIFICATIONS @ 25°C unless otherwise noted:

PARAMETER		TEST CONDITIONS	VALUE
D.C. RESISTANCE	S-F	@20°C	0.052 ohms ±20%
INDUCTANCE	S-F	10kHz, 100mVAC, Ls	52.0uH ±10%
SATURATION CURRENT	S-F	50% rolloff from initial	25A
DIELECTRIC	S-Core	625VAC, 1 second	500VAC, 1 minute

GENERAL SPECIFICATIONS:

OPERATING TEMPERATURE RANGE: -40°C to +125°C including temp rise.

Functional insulation only.

Wire insulation & RoHS status not affected by wire color.
Wire insulation color may vary depending on availability.

REV.	DATE	Packaging Specifications Method: Tray PKG-1103		Tolerances unless otherwise specified: Angles: ±1° Fractions: ±1/64 Decimals: ±.005 [.13] Footprint: ±.001 [.03]	DRAWING TITLE INDUCTOR	PART NO. FKS750315814
6B	3/19			This drawing is dual dimensioned. Dimensions in brackets are in millimeters.	eiSos p/n: FKS750315814	SPECIFICATION SHEET 1 OF 1
6A	11/16					

