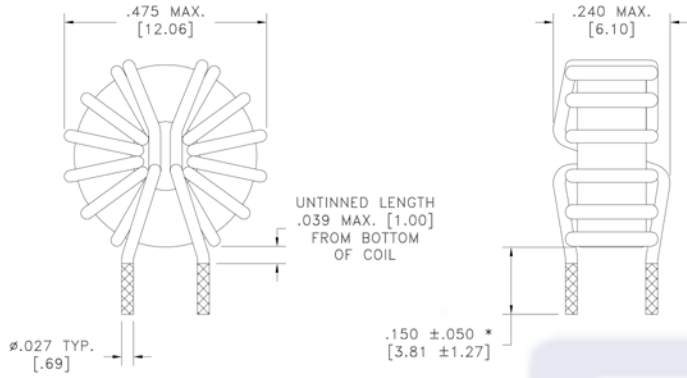


CUSTOMER TERMINAL	RoHS	LEAD(Pb)-FREE
Sn96%, Ag4%	Yes	Yes



* DIMENSION MAY BE EXCEEDED WITH SOLDER ONLY



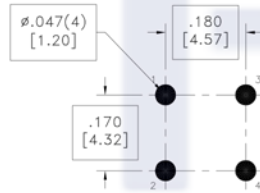
ELECTRICAL SPECIFICATIONS @ 25°C unless otherwise noted:

PARAMETER	TEST CONDITIONS	VALUE
D.C. RESISTANCE	1-3 @20°C	0.007 ohms max.
D.C. RESISTANCE	2-4 @20°C	0.007 ohms max.
INDUCTANCE	1-3 100kHz, 10mVAC, Ls	110uH min.
INDUCTANCE	2-4 100kHz, 10mVAC, Ls	110uH min.
DIELECTRIC	1-2 600VAC, 2 seconds	500VAC, 1 minute
URNS RATIO	(1-3):(2-4)	1:1, ±1%

GENERAL SPECIFICATIONS:

OPERATING TEMPERATURE RANGE: -40°C to +125°C including temp rise.

CURRENT RATING: 5A



PC PATTERN COMPONENT SIDE
PART MAY REQUIRE MANUAL
MANIPULATION OF LEADS TO FIT PCB.

Wire insulation & RoHS status not affected by wire color.
Wire insulation color may vary depending on availability.

REV.	DATE	Packaging Specifications Method: Tray PKG-1045		Tolerances unless otherwise specified: Angles: ±1° Fractions: ±1/64 Decimals: ±.005 [.13] Footprint: ±.001 [.03]	DRAWING TITLE INDUCTOR	PART NO. FKS750343094
6A	12/15		CONVENTION PLACEMENT	This drawing is dual dimensioned. Dimensions in brackets are in millimeters.	eiSos p/n: FKS750343094	SPECIFICATION SHEET 1 OF 1