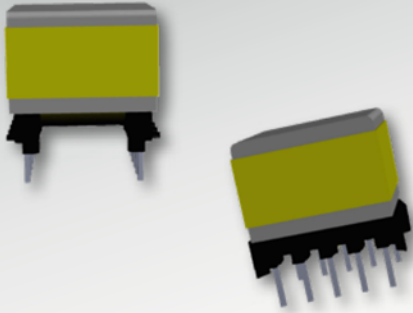


# EP13

## 10-Terminal, THT, Horizontal



### Characteristics

- Through-hole
- Core direction: horizontal
- Basic/supplementary insulation
- Built-in shelves

### Applications

- Lighting
- Metering
- PoE
- DC/DC converter
- Industrial controls
- White goods
- DSL
- Telecom
- CMC

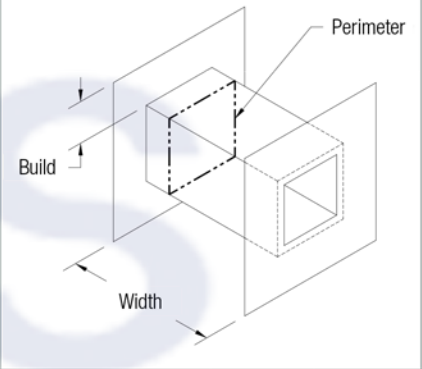
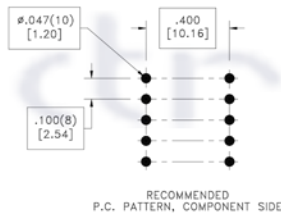
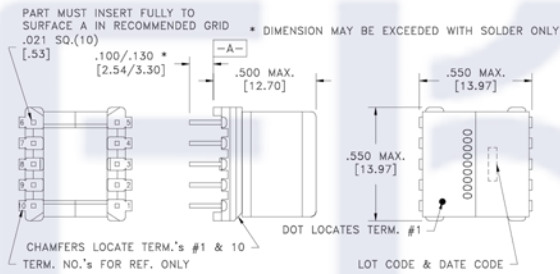
### Core Data

Core Part Number		Area (A <sub>c</sub> ) (mm <sup>2</sup> )	Path Length (L <sub>p</sub> ) (mm)	Volume (V <sub>c</sub> ) (mm <sup>3</sup> )
Power: 150-2363	Digital: 150-0899	19.50	24.20	471.90

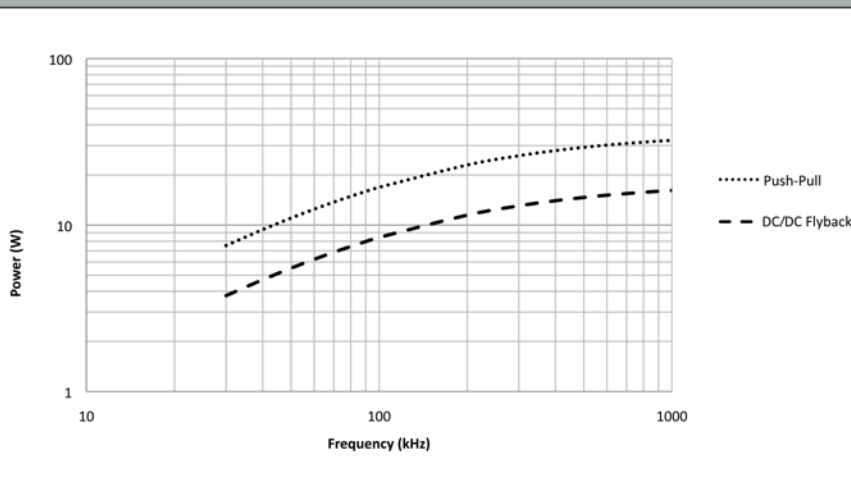
### Bobbin Winding Area

Bobbin Part Number	Width (mm)	Build (mm)	Perimeter (mm)
070-4370	7.77/4.47	1.91	18.54

### Dimensions & Footprint



### Estimated Maximum Power Level



### Models

- A** Altium Library
- E** Eagle Library
- S** STEP 3D Model
- I** IGS 3D Model
- W** WRL 3D Model